



# UNISTRUT®

Safety Systems



Arresta  
Safety  
Products.

29 Chorley Road  
Adlington  
Lancashire  
PR6 9LH  
Tel: 01257 481191  
Fax: 01257 475225

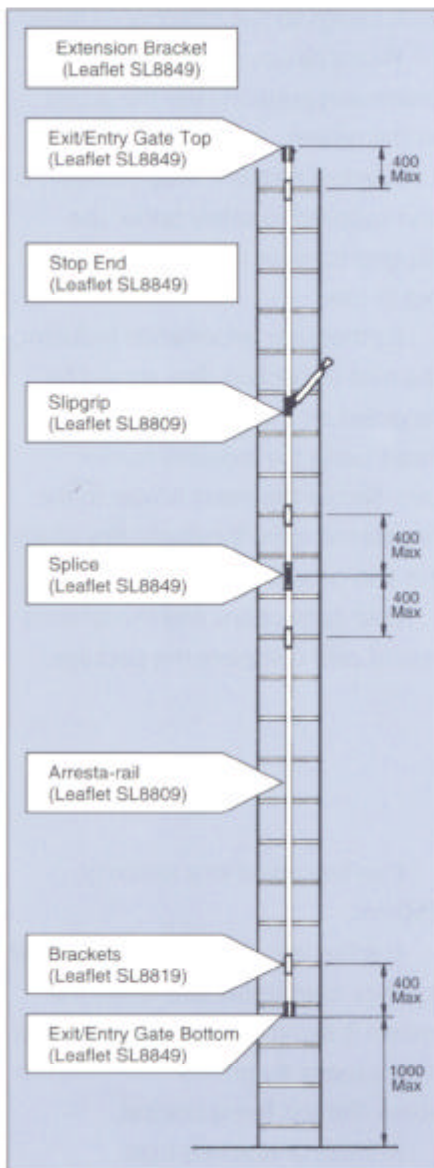
Arresta

## ARRESTA-RAIL™

### Vertical Fall Arrest



**General Arrangement**



The Arresta-rail safety system arrests falls when climbing or descending vertical or near vertical industrial ladders and other similar access ways.

The system has been independently tested by an accredited test house and complies with:

**BS EN 353-1 : 1993**

**Personal protective equipment against falls from a height: guided type fall arresters**

Part 1. Specification for guided type fall arresters on a rigid anchorage line

**CE95 0320**

**Loading**

The standard requires that the imposed load, under dynamic testing, is below 6kN and that the system can sustain a 15kN static load without ultimate failure.

Customers should satisfy themselves that the ladder or structure to which the system is fixed can itself withstand the imposed dynamic load as a minimum requirement.

Testing service available if required.

All systems installed by Unistrut contracting teams include a proof load test as part of the contract.

**Finishes**

Hot dipped galvanising to BS EN ISO 1461 : 1999.

Stainless steel components are manufactured from "marine" grade 316-S31.

Part numbers refer to H.D.G. finish. Suffix Part No. SS for stainless steel.

Non standard finishes eg: powder coating are also available on request.

**Please note:**

The Arresta-rail safety system which includes the track and Slipgrip devices, with the integral energy absorbing lanyard and karabinier manufactured by Unistrut Limited is a uniquely designed and tested safety system.

Unistrut Limited cannot be held responsible for the substitution, by third parties, of any component part as this may well affect the integrity of the system.

System should be commissioned by running the Slipgrip Traveller up and down the completed installation to ensure free passage past joints.





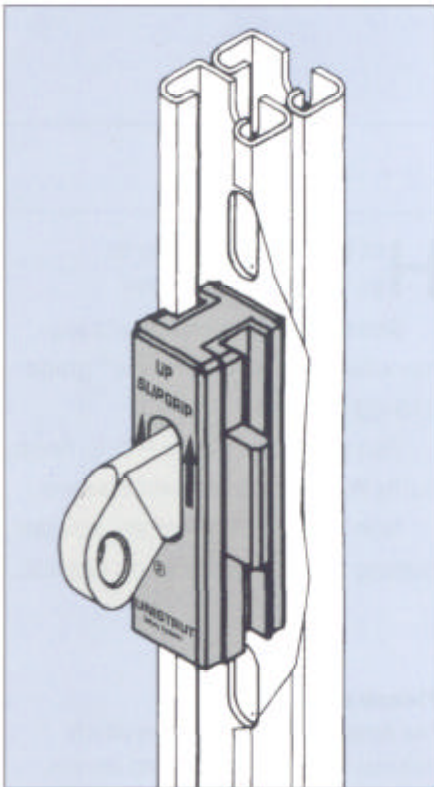


## **ARRESTA-RAIL™**

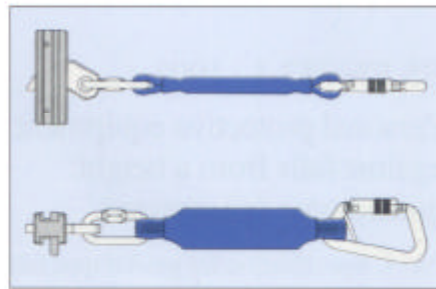
**THE ONLY VERTICAL FALL ARREST SYSTEM  
WITH THE **SLIPGRIP™** TRAVELLER-  
SLIDES WHEN YOU WANT  
-GRIPS IF YOU SLIP!**



**Slipgrip Traveller**  
Part No. SL8888A



Compact anodised aluminium alloy body with Nylon runners and steel locking arm, plated and powder coated with integral energy absorbing lanyard and karabinier.



Weighs less than 800g.  
Each Slipgrip traveller is proof load tested prior to despatch.  
A full body safety harness (LM8052) with front attachment points to BS EN361 : 1993 (harnesses) completes the system.

Each Slipgrip traveller is supplied within a plastic storage box. This pack also contains an information sign with fixings to suit masonry (SL8899).

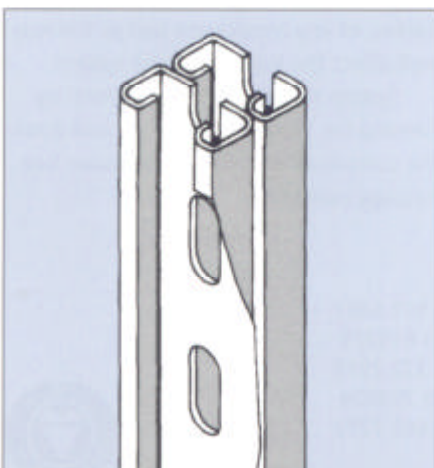
Please display the notice in a prominent position near the access to the system.

A velcro restraint strap (SL8887) is also supplied to safely tether the Slipgrip traveller to the harness when not in use.

Further user information including the next inspection date should be recorded on the plastic tag sign insert using the indelible marker pen. Secure the insert holder to the Arresta-rail using the plastic ties which are also provided.

User instructions and the systems record card complete the package.

**Arresta-rail**  
Part No. SL8801



Finishes HDG and SS  
Cross Section 41mm x 41mm

Cold rolled from 2.5mm strip steel, slotted and continuous seam welded combination section.

Standard length 3m.  
Can be cut to length at works prior to galvanising or on site.  
When cutting Arresta-rail on site use a bench top cut-off saw or other means to ensure a square cut. Ends should be de-burred and leading edges slightly chamfered.  
On HDG rail cut ends should be treated with a suitable zinc rich protective coating.

Longer lengths available on request.

Can be curved to a radius of 750mm.

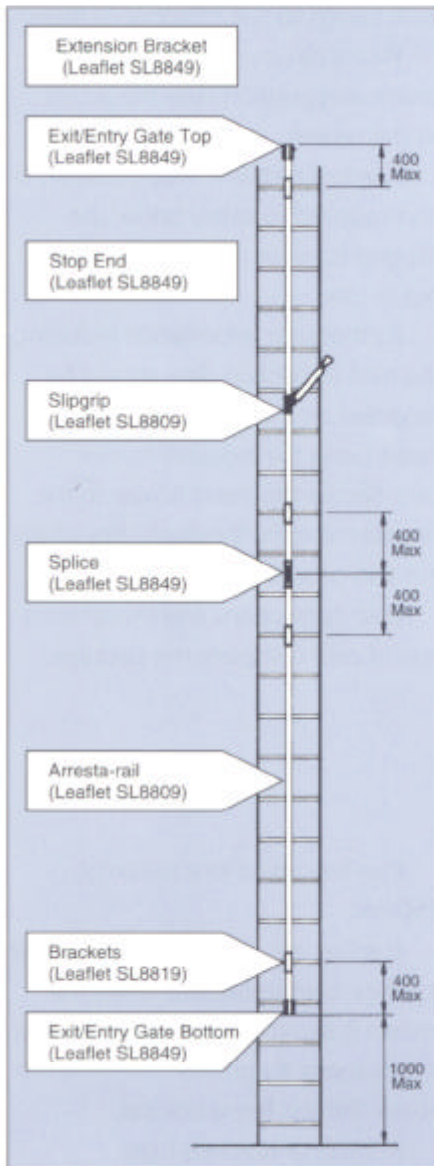
Erectors are able to use Arresta-rail for their own protection when the system is being installed provided that it cantilevers no greater than 400mm above the top fixing bracket.

Additional brackets fixed temporarily during erection can be used to achieve this requirement.





## General Arrangement



The Arresta-rail safety system arrests falls when climbing or descending vertical or near vertical industrial ladders and other similar access ways.

The system has been independently tested by an accredited test house and complies with:

**BS EN 353-1 : 1993**

**Personal protective equipment against falls from a height: guided type fall arresters**

Part 1. Specification for guided type fall arresters on a rigid anchorage line

**CE95 0320**

## Loading

The standard requires that the imposed load, under dynamic testing, is below 6kN and that the system can sustain a 15kN static load without ultimate failure.

Customers should satisfy themselves that the ladder or structure to which the system is fixed can itself withstand the imposed dynamic load as a minimum requirement.

Testing service available if required.

All systems installed by Unistrut contracting teams include a proof load test as part of the contract.

## Finishes

Hot dipped galvanising to BS EN ISO 1461 : 1999.

Stainless steel components are manufactured from "marine" grade 316-S31.

Part numbers refer to H.D.G. finish. Suffix Part No. SS for stainless steel.

Non standard finishes eg: powder coating are also available on request.

## Please note:

The Arresta-rail safety system which includes the track and Slipgrip devices, with the integral energy absorbing lanyard and karabinier manufactured by Unistrut Limited is a uniquely designed and tested safety system.

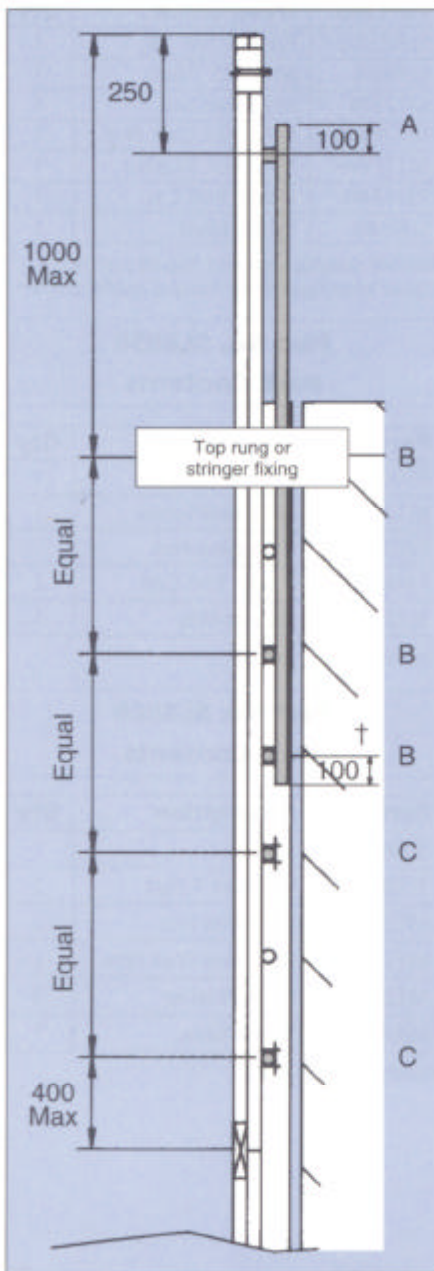
Unistrut Limited cannot be held responsible for the substitution, by third parties, of any component part as this may well affect the integrity of the system.

System should be commissioned by running the Slipgrip Traveller up and down the completed installation to ensure free passage past joints.





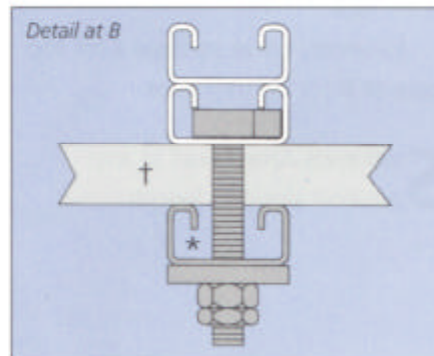
**Extension Bracket  
General Arrangement**



Top section of systems fitted with extension brackets must be a full 3m length of Arresta-rail.  
† Applies when fixing to stringers.  
For rung fixings fix to lowest available rung subject to T bolt fixing detail.

**Extension Bracket Set (Rungs)  
Part No. SL8840R**

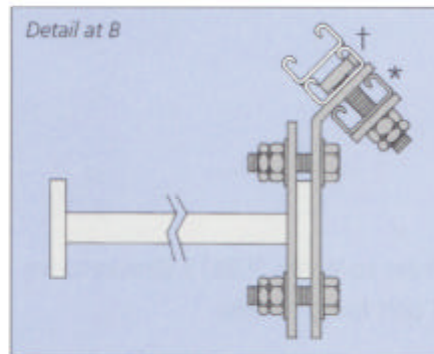
Used to extend Arresta-rail to a maximum of 1m above the top ladder rung and suits ladder rungs up to 20mm diameter.



\* Plastic caps not shown.  
† 3 square washers (P1064) replace 20mm rungs at top fixing A.

**Extension Bracket Set (Stringers)  
Part No. SL8840STR**

Used to extend Arresta-rail to a maximum of 1m above the top ladder stringer fixing.



\* Plastic caps not shown.  
† A square washer (P1064) is used to pack between Arresta-rail and the extension bracket at top fixing A.

Refer to leaflet SL8819 (Brackets) for T bolt fixing details.

**Part No. SL8840R  
Pack Contents**

Part No.	Description	Qty
P3300T	Extension Arm 1700mm long	1
P1064	Square Washer	7
SL8813	M12x65 T Bolt	7
M12HN	M12 Hex Nut	7
M12HHN	M12 Hex Lock Nut	7
P3/4240	Plastic End Cap	2
SL8849	Instructions	1

Finishes H.D.G. and SS.

This set fixes the extension arm at positions A and B. In addition fix the rung bracket set (SL8810) to the top 3m length of Arresta-rail at positions marked C.

**Part No. SL8840STR  
Pack Contents**

Part No.	Description	Qty
P3300T	Extension Arm 1700mm long	1
P1064	Square Washer	5
SL8821	Flat Plate	3
SL8822	45° Angle Plate	3
SL8813	M12x65 T Bolt	4
M12HS	M12x50 Hex Screws	6
M12HN	M12 Hex Nut	10
M12HHN	M12 Hex Lock Nut	10
M12FW	M12 Washer	12
P3/4240	Plastic End Cap	2
SL8849	Instructions	1

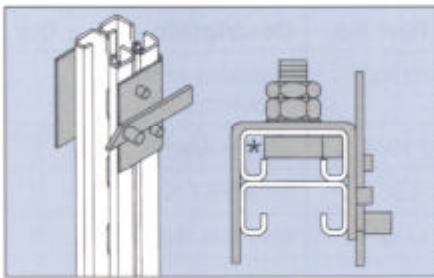
Finishes H.D.G. and SS.

This set fixes the extension arm at positions A and B. In addition fix the stringer bracket set (SL8820) to the top 3m length of Arresta-rail at positions marked C.





**Exit/Entry Gate Set**  
**Part No. SL8830 T or B**



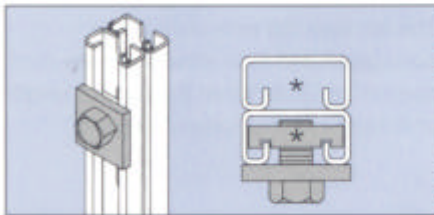
\*Plastic caps not shown

Used to ensure that Slipgrip is put onto the Arresta-rail track correctly and prevents unintentional removal.

Exit/entry gate brackets must be installed as shown ie: with the lever to the right hand side of the Arresta-rail track when viewed from the front open face.

Exit/entry gates suffixed T for top gate or B for bottom gate.

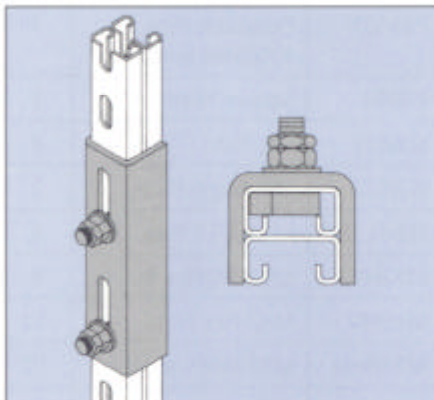
**Stop End Set**  
**Part No. SL8850**



\*Plastic caps not shown

Stop ends Arresta-rail at any position along its length.

**Splice Set**  
**Part No. SL8860**



Joins and aligns adjacent lengths of Arresta-rail.

Butt joint rail lengths.

Check Arresta-rail alignment before fully tightening T bolts.

Refer to leaflet SL8819 (Brackets) for T bolt fixing details.

**Part No. SL8830 T or B**  
**Pack Contents**

Part No.	Description	Qty
SL8831/2	E/E Bracket T/B	1
SL8823	M12x35 T Bolt	1
M12HN	M12 Hex Nut	1
M12HHN	M12 Hex Lock Nut	1
M12FWH	M12 Flat Washer	1
P3/4240	Plastic End Cap	1
SL8849	Instructions	1

Finishes Galv/Painted and SS/part painted.  
Colour coded yellow for top and red for bottom.

**Part No. SL8850**  
**Pack Contents**

Part No.	Description	Qty
P1064	Square Washer	1
M12x22HS	M12 Hex Screw	1
P3013M12	Clamping Nut	1
P3/4240	Plastic End Cap	2
SL8849	Instructions	1

Finishes H.D.G. and SS.

**Part No. SL8860**  
**Pack Contents**

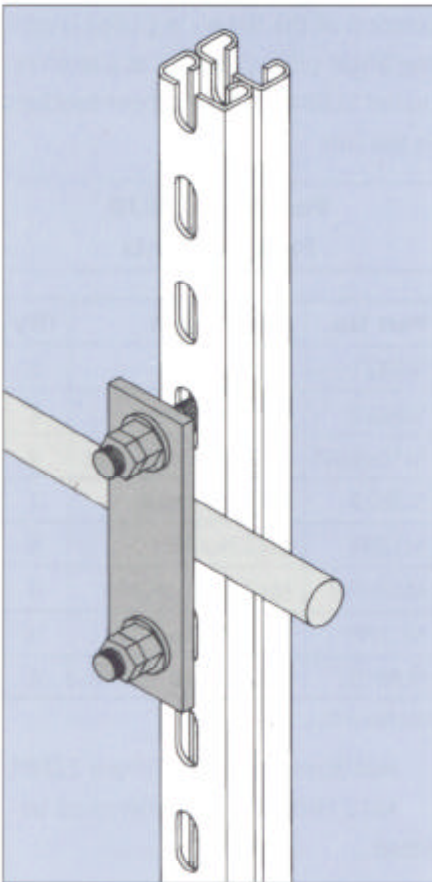
Part No.	Description	Qty
SL8861	Splice	1
SL8823	M12x35 T Bolt	2
M12HN	M12 Hex Nut	2
M12HHN	M12 Hex Lock Nut	2
M12FW	M12 Washer	2
SL8849	Instructions	1

Finishes H.D.G. and SS.





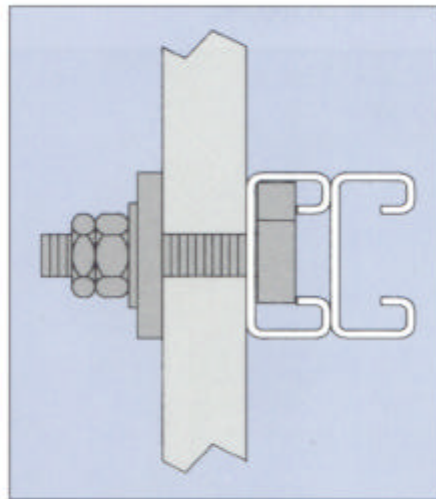
**Rung Bracket Set**  
**Part No. SL8810**



**B**racket set makes 2 brackets to fix one length of Arresta-rail track.

The standard bracket suits round or box section rungs up to 30mm\* wide.

Non standard brackets are available on request.



Fix centreline of bracket no greater than 400mm from each end of Arresta-rail.

Fix T bolts as shown below.

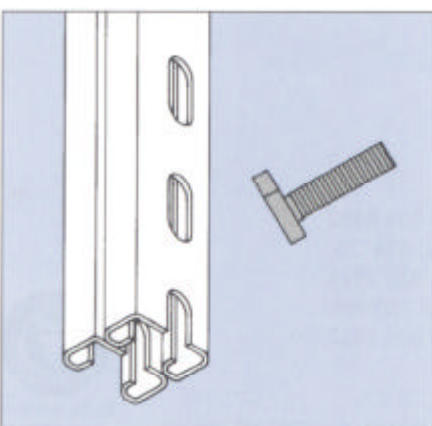
*\*Maximum 20mm when extension bracket (SL8840) is required. See leaflet SL8849.*

**Part No. SL8810**  
**Pack Contents**

Part No.	Description	Qty
SL8811	Flat Plate	2
SL8813	M12x65 T Bolt	4
M12HN	M12 Hex Nut	4
M12HHN	M12 Hex Lock Nut	4
M12 FW	M12 Washer	4
SL8819	Instructions	1

*Finishes H.D.G. and SS.*

**T. Bolt Fixings**



**O**nly fix T bolts to full slots at least 22mm from a cut end.

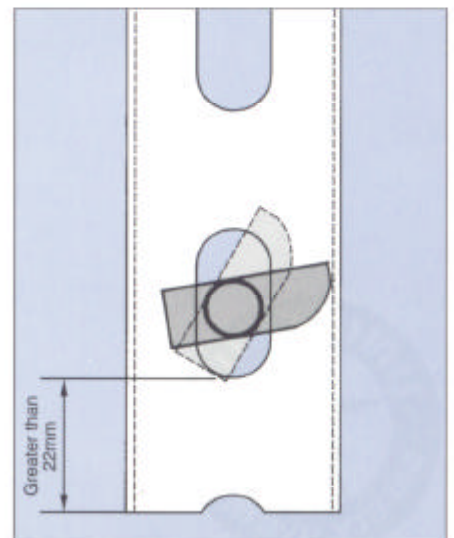
Enter T bolt into slot and turn clockwise – an approximate ¼ turn.

Fix appropriate bracket.

Check alignment.

T bolt Fastening Torque. 22NM.  
M12 HHN Hex lock nuts must be fitted.

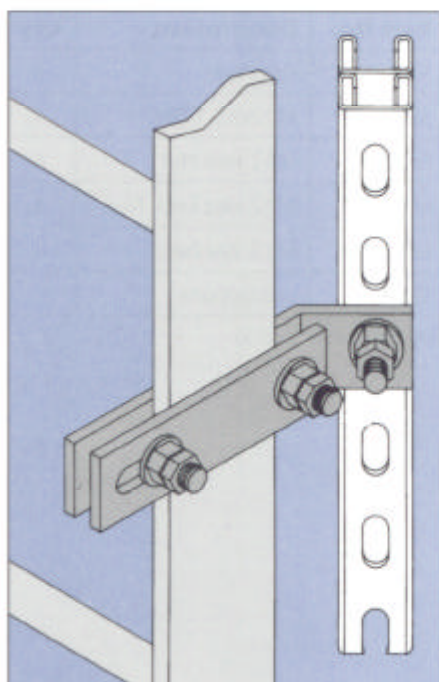
**Re-check alignment.**







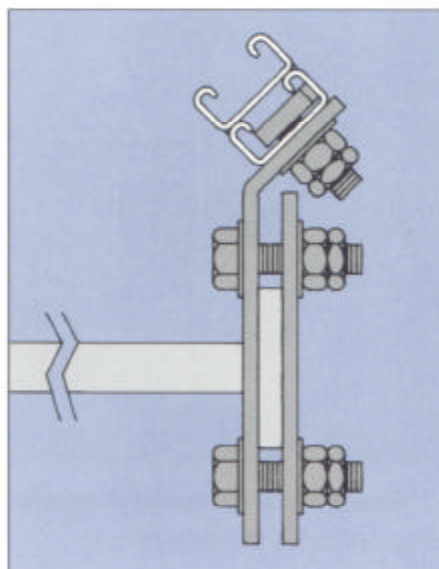
**Stringer Bracket Set**  
**Part No. SL8820**



**B**racket set makes 2 brackets to fix one length of Arresta-rail track.

The standard bracket suits rectangular ladder stringers up to 80mm wide and 15mm thick.

Non standard brackets are available on request.



Fix centreline of bracket no greater than 400mm from each end of Arresta-rail.

Fix T bolts as shown overleaf.

When installing Arresta-rail to systems having an extension bracket, it may be necessary to reverse the position of the flat plate (SL8821) with the angle plate (SL8822) as shown on leaflet SL8849 for all stringer brackets in the run.

**Part No. SL8820**  
**Pack Contents**

Part No.	Description	Qty
SL8821	Flat Plate	2
SL8822	45° Angle Plate	2
M12x50HS	M12x50 Hex Screws	4
SL8823	M12x35 T Bolt	2
M12HN	M12 Hex Nut	6
M12HHN	M12 Hex Lock Nut	6
M12FW	M12 Washer	10
SL8819	Instructions	1

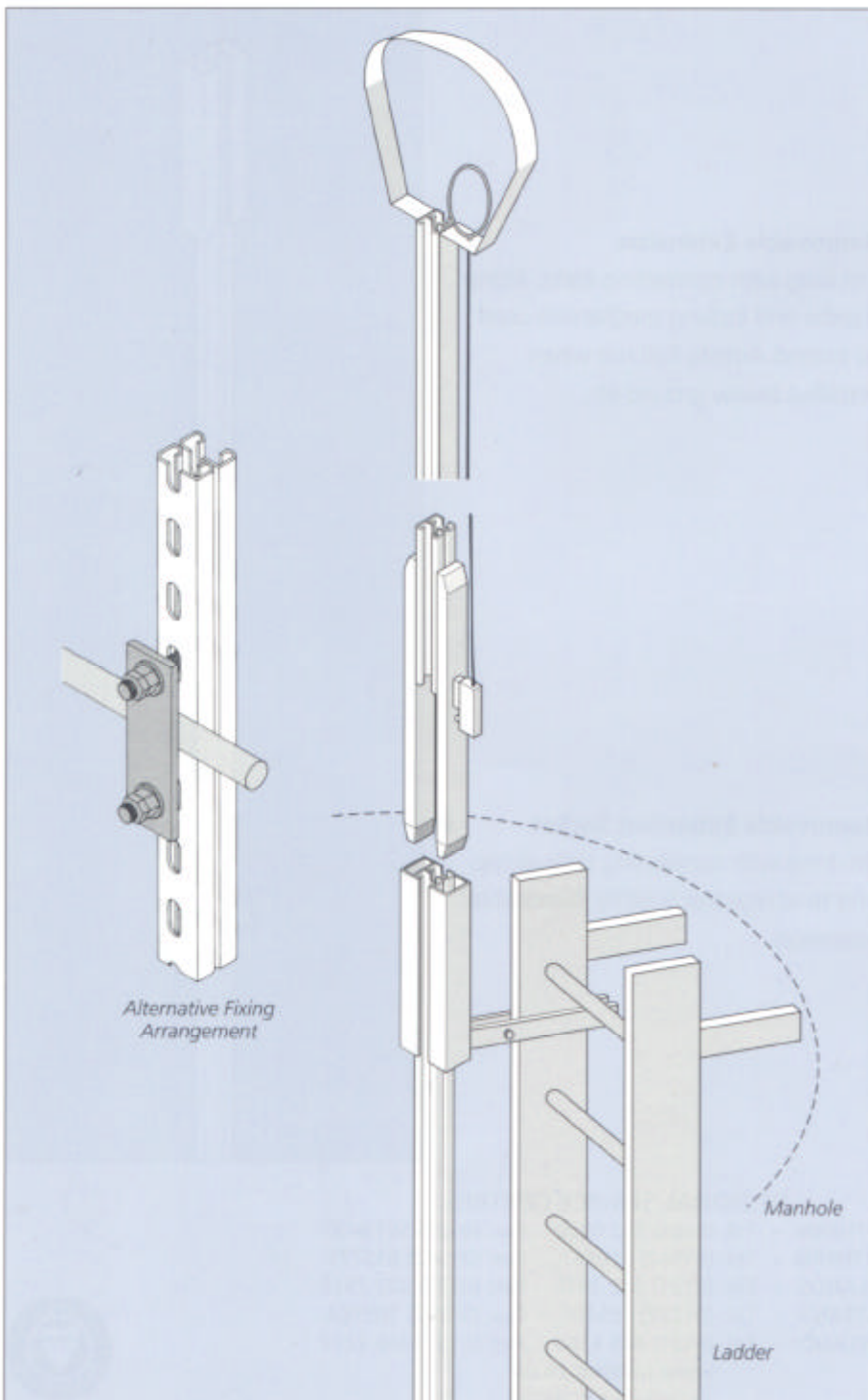
Finishes H.D.G. and SS.

Hex Screw fastening Torque 22NM.  
M12 HHN Hex lock nuts must be fitted.





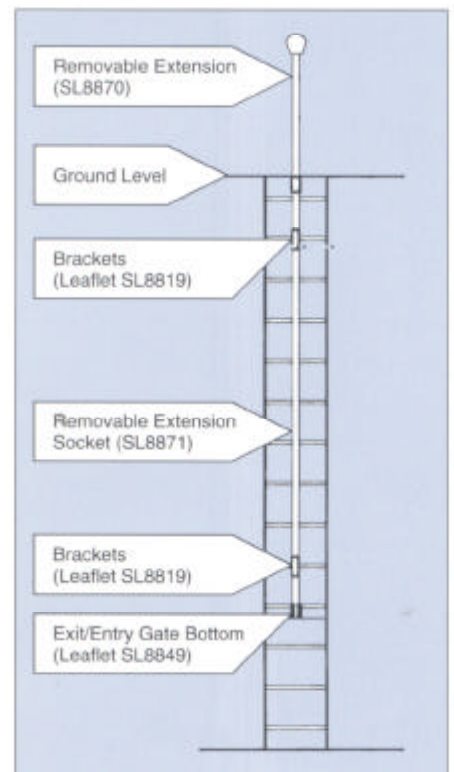
**Removable Extension and Socket  
General Arrangement**



◀ **SL8870**

**Removable Extension**

Manufactured in mild steel and finished in Grey epoxy powder coating.



◀ **SL8871**

**Removable Extension Socket**

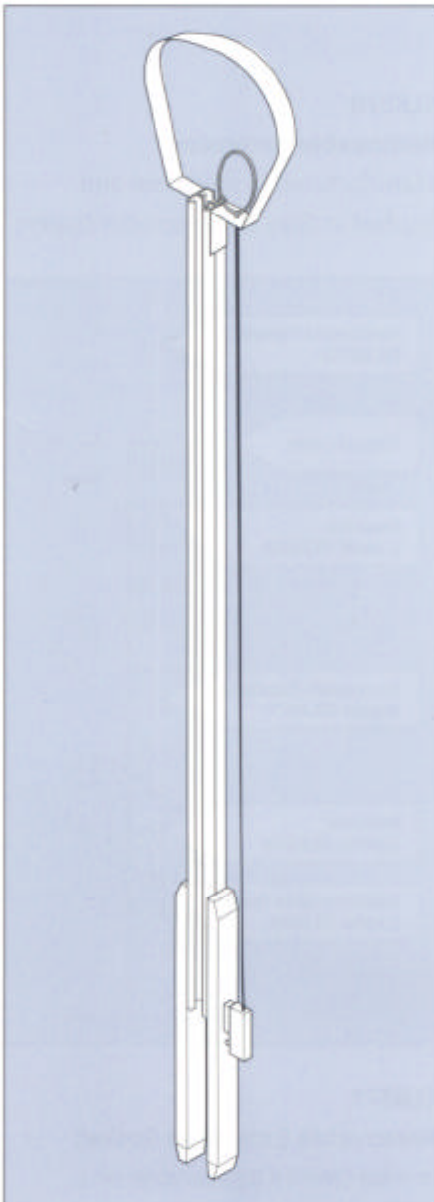
In mild steel HDG available or stainless steel.

These two components are for use when entering and descending below ground situations i.e. manholes, inspection chambers, and draining hatches.





**Removable Extension**  
Part No. SL8870



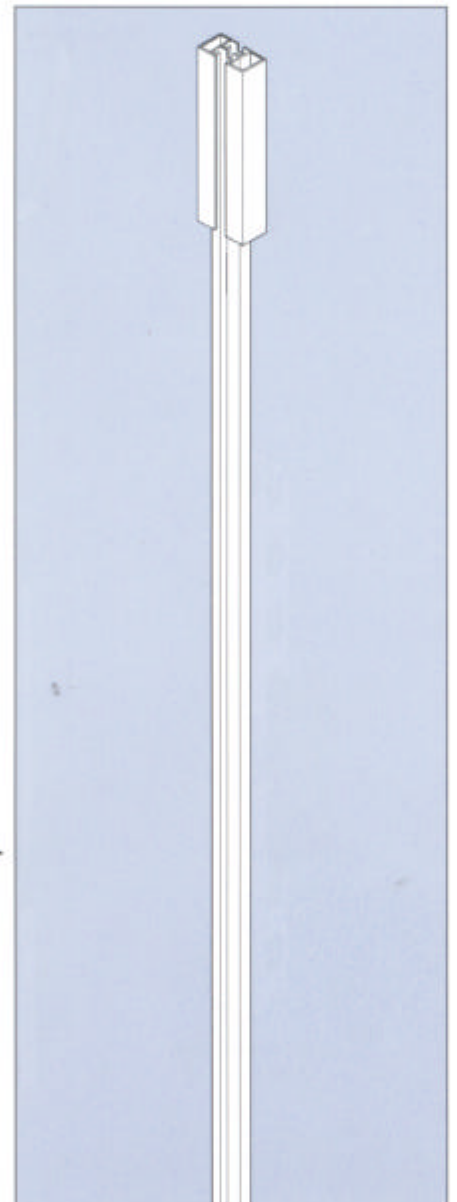
◀ **Removable Extension**

1m long with connecting forks, lifting handle and locking mechanism used to extend Arresta Rail run when installed below ground etc.

**Removable Extension Socket** ▶

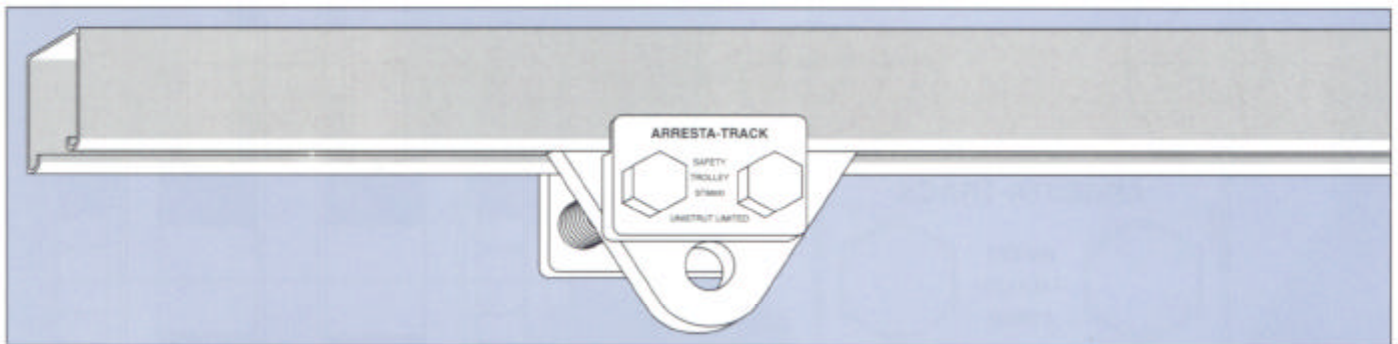
3m long with connecting slots at top end to accept the SL8870 Removable extension.

**Removable Extension Socket**  
Part No. SL8871



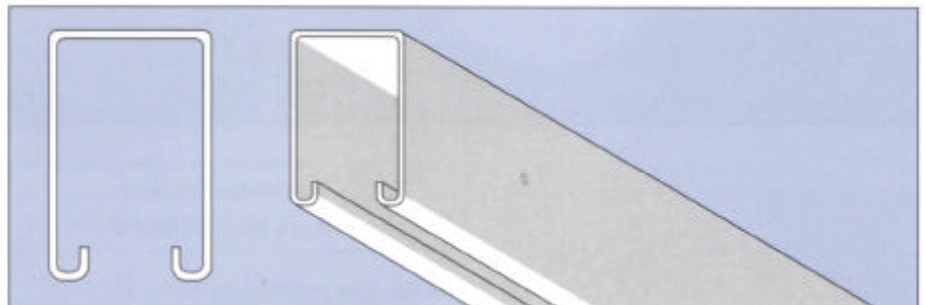


**Arresta-Track Anchorage System (CE 95 0320)**



A horizontal rigid rail anchorage safety system with mobile attachment points for personal protective equipment.

- Tested to BS EN 795:1997.
- Enclosed Track to minimise the accumulation of dust and debris.
- Minimal deflection in the event of a fall.
- A suitable attachment for Fall Arrest Blocks or Controlled descent devices.

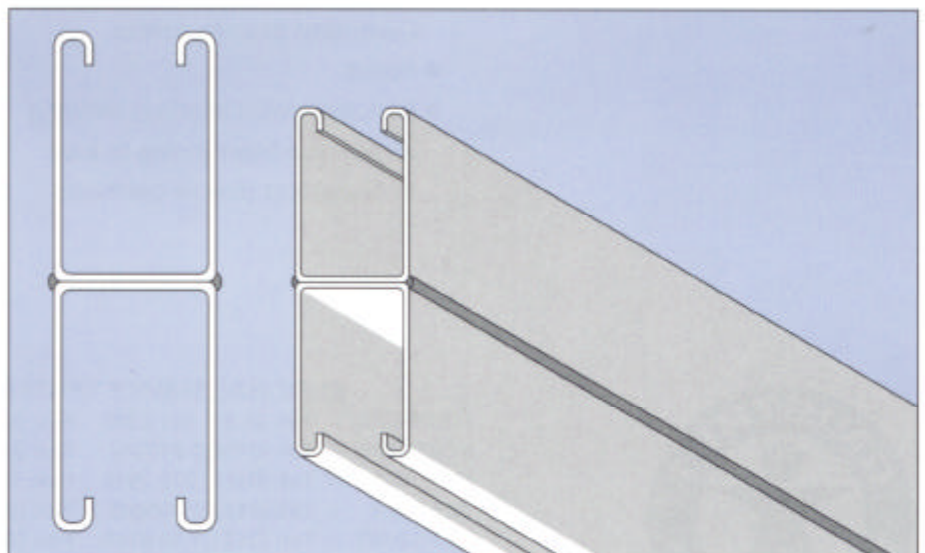


**Arresta-Track**  
**Part No. ST8601**

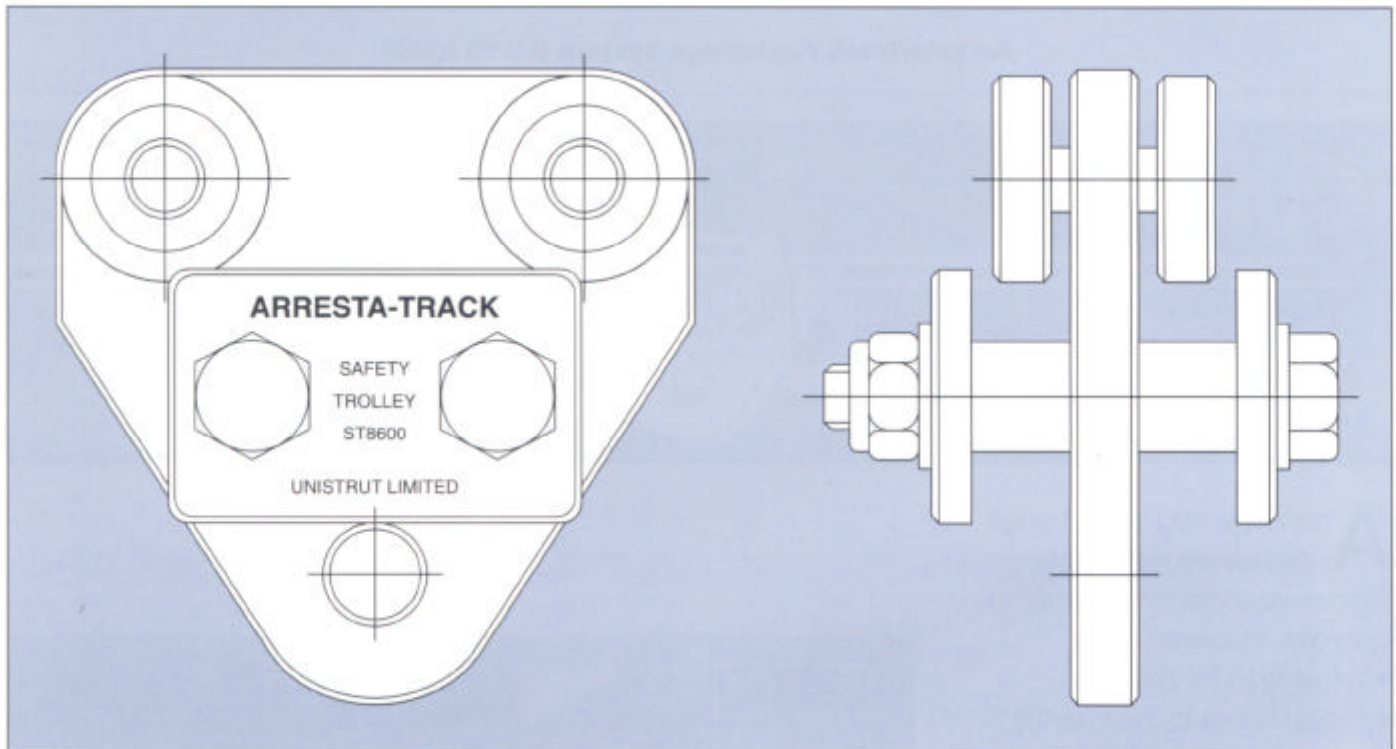
- Cold rolled from 2.5mm thick strip steel.
- Available in pregalvanised or hot dipped galvanised finish.
- Fix directly to soffit or to secondary steelwork.

**Arresta-Track**  
**Part No. ST8602**

- Combination section for greater spans.
- Hot dipped galvanised finish.



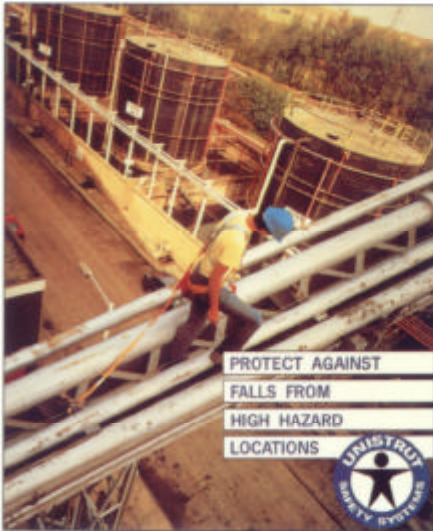




**Arresta-Trolley**  
**Part No. ST8600**

- Mobile anchorage point for attachment of Fall Arrest Blocks or Controlled descent devices.
- Plated.
- Enclosed sealed bearings allowing exceptional free running to keep trolley almost directly overhead.





PROTECT AGAINST  
FALLS FROM  
HIGH HAZARD  
LOCATIONS



**A**rresta-rail is manufactured by Unistrut Limited, world leaders in metal framing support systems.

All Unistrut safety systems are available through a network of regional service centres located near all key industrial areas.

As well as a comprehensive stock of standard product, Unistrut Service Centres have experienced engineers and designers with expertise in all aspects of fall arrest systems gained from impressive technical resources throughout the world.

Cost effective and computer aided designs are produced for special applications.

Simple installation of Arresta-rail is assured, but where required, a Unistrut contracting team is available to erect and test any Unistrut safety system.



**PLEASE NOTE:**

**PATENT PENDING (GB 2278627)**

The Arresta-rail System is compatible with any full safety harness complying with BS EN 361-1993  
The Wiggip traveller and integral lanyard is tested as a complete system and must only be used in Arresta-rail manufactured by Unistrut Limited



BS 5750 PART 1  
ISO 9001  
CERT No. FM 825

**Arresta  
Safety  
Products**

**UK Sales & Distribution:**

Arresta Safety Products,  
29, Chorley Road,  
Adlington,  
Lancashire,  
PR6 9LH.

Tel: 01257 481191  
Fax: 01257 475225  
E-mail: Arrestasafe@cs.com

**A  
r  
r  
e  
s  
t  
a**

Specialist Installer of Arresta-Rail & Arresta Track Fall Arrest Safety Systems – Trisafe® Engineered Safety Systems – Safety Eyebolts.

Height Safety Equipment – PPE.

Authorised to carry out testing of Unistrut® Safety Systems.

